

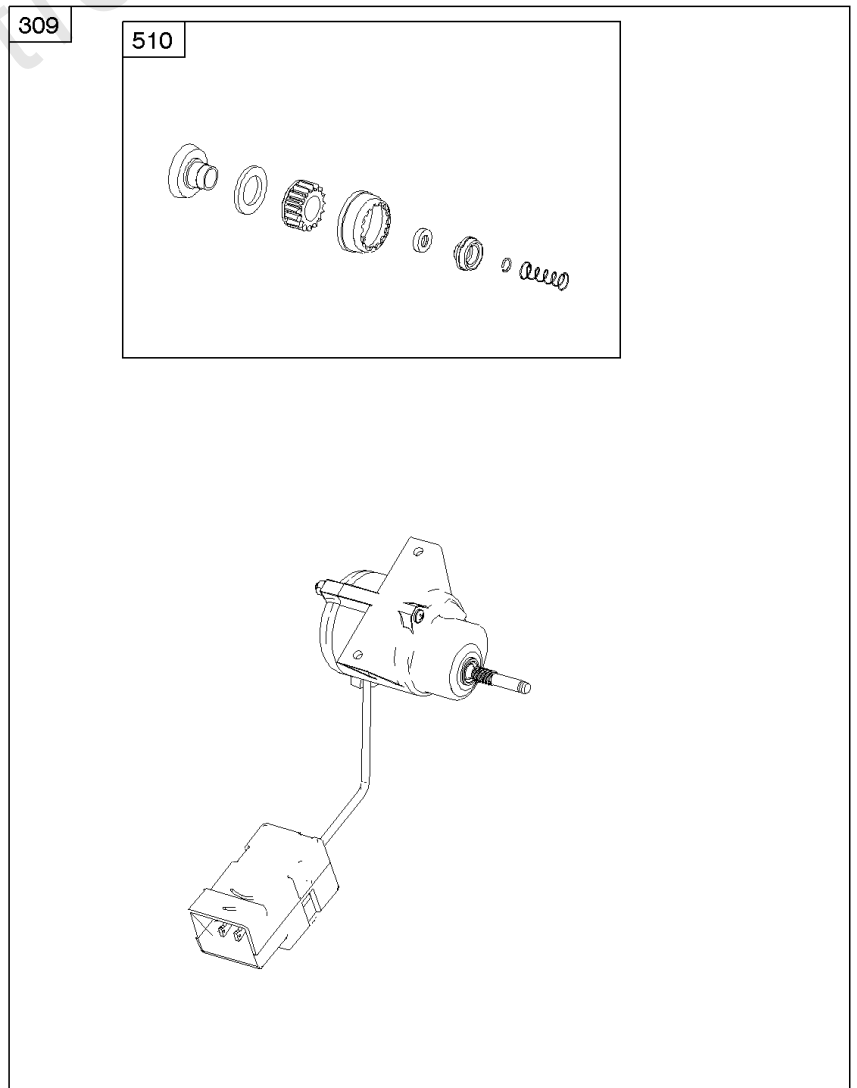
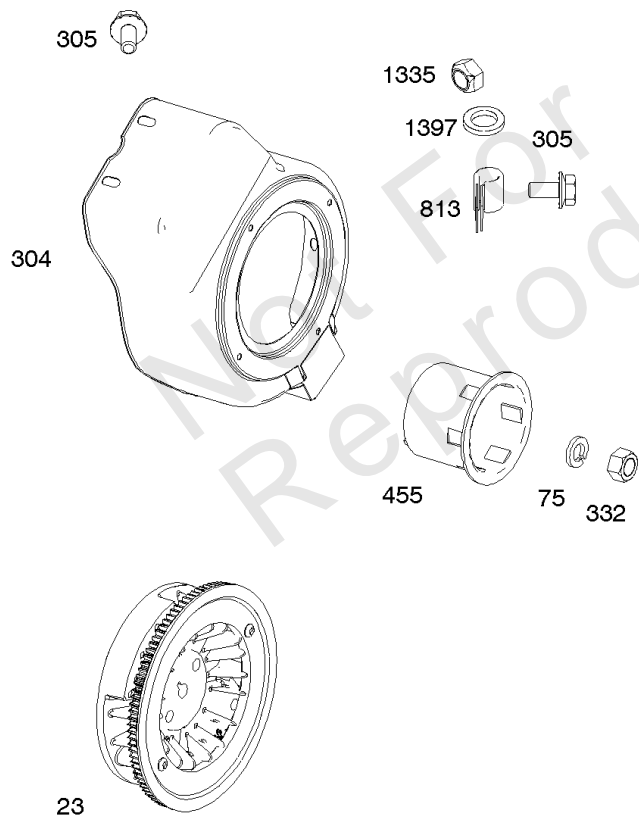
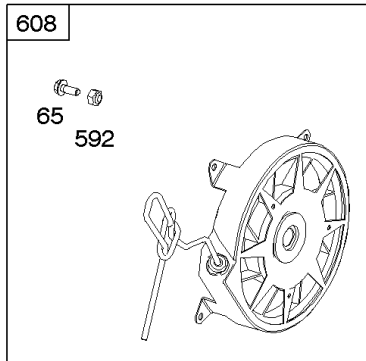
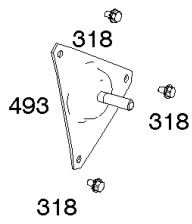


Parts Manual

Mfg. No: 084132-0120-E8

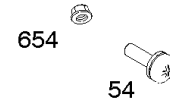
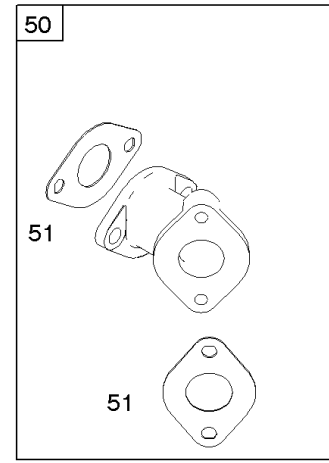
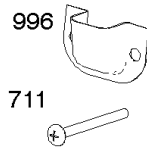
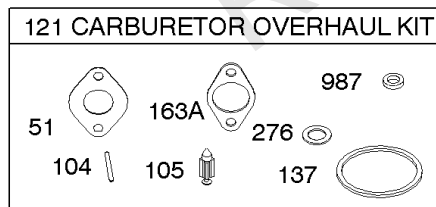
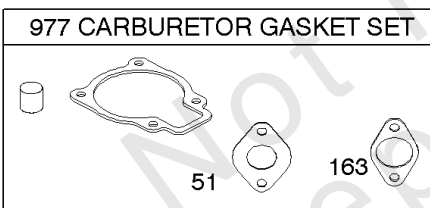
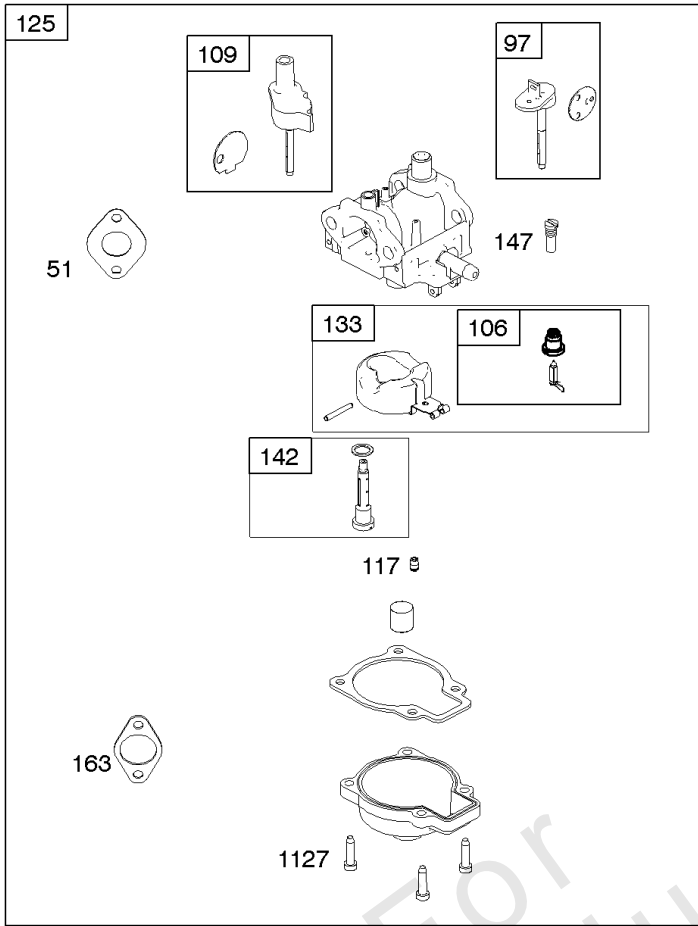
Model Components	Page
Blower Housing/Shrouds, Exhaust System, Rewind Starter.....	4
Carburetor, Kit-Carburetor Overhaul.....	6
Crankcase Cover/Sump, Crankshaft, Cylinder Head, Piston, Rings, Connecting Rod.....	10
Electric Starter, Flywheel, Governor Spring, Ignition.....	12
Replacement Engine - US & Canada.....	14

Not For
Reproduction

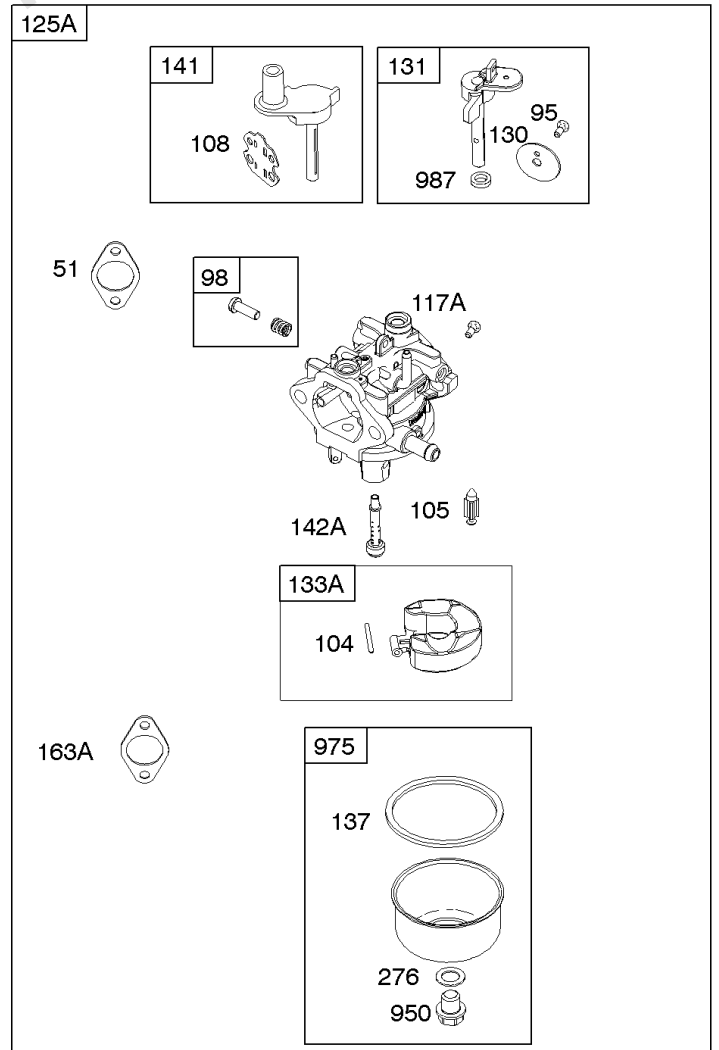


Blower Housing/Shrouds, Exhaust System, Rewind Starter

REF NO	PART NO	QTY	DESCRIPTION
23	801246		FLYWHEEL
65	801243		SCREW -(Rewind Starter)
75	801237		WASHER -(Flywheel)
304	801257		HOUSING, Blower
304	801328		HOUSING, Blower -(Used On 230 Volt Electric Start Engines)
305	801239		SCREW -(Blower Housing)
318	801241		SCREW -(Mounting Bracket)
332	801238		NUT -(Flywheel)
455	801235		CUP, Flywheel
493	801240		BRACKET, Mounting
592	801244		NUT -(Rewind Starter)
608	801242		STARTER, Rewind
1335	801269		NUT -(Blower Housing)
1397	801270		WASHER -(Blower Housing)

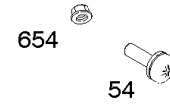
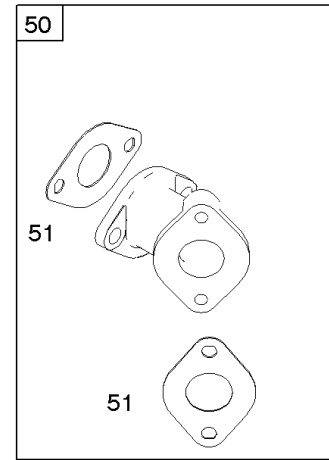
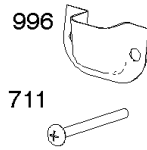
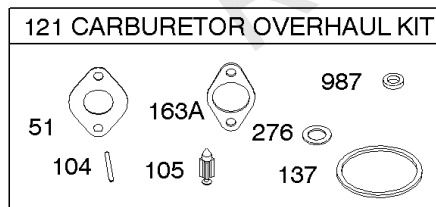
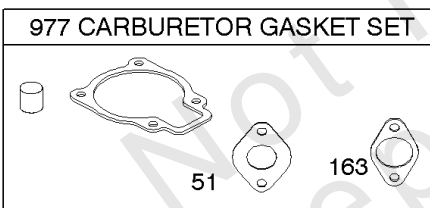
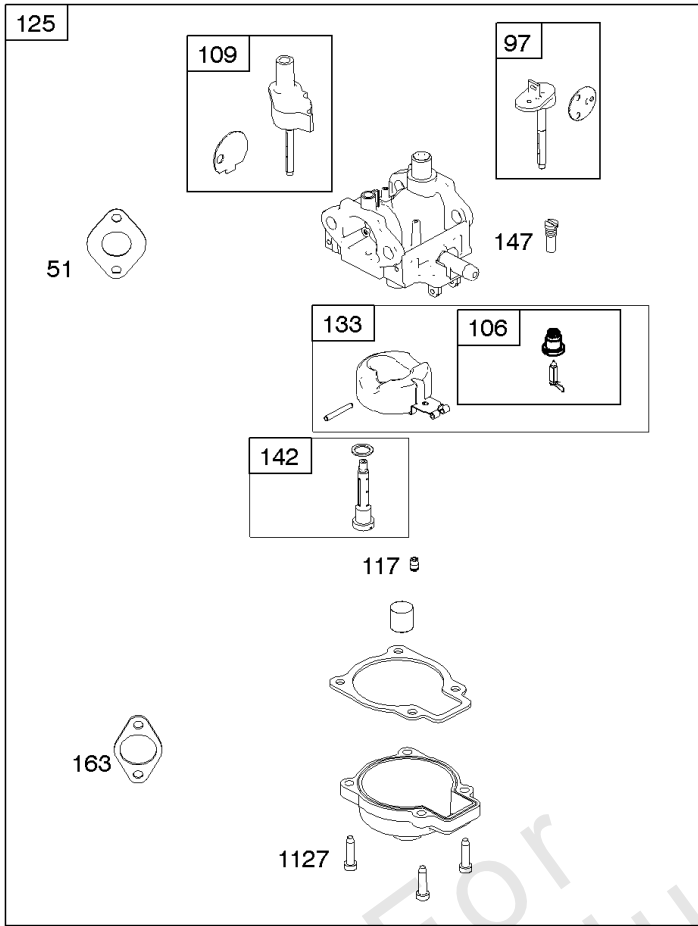


118

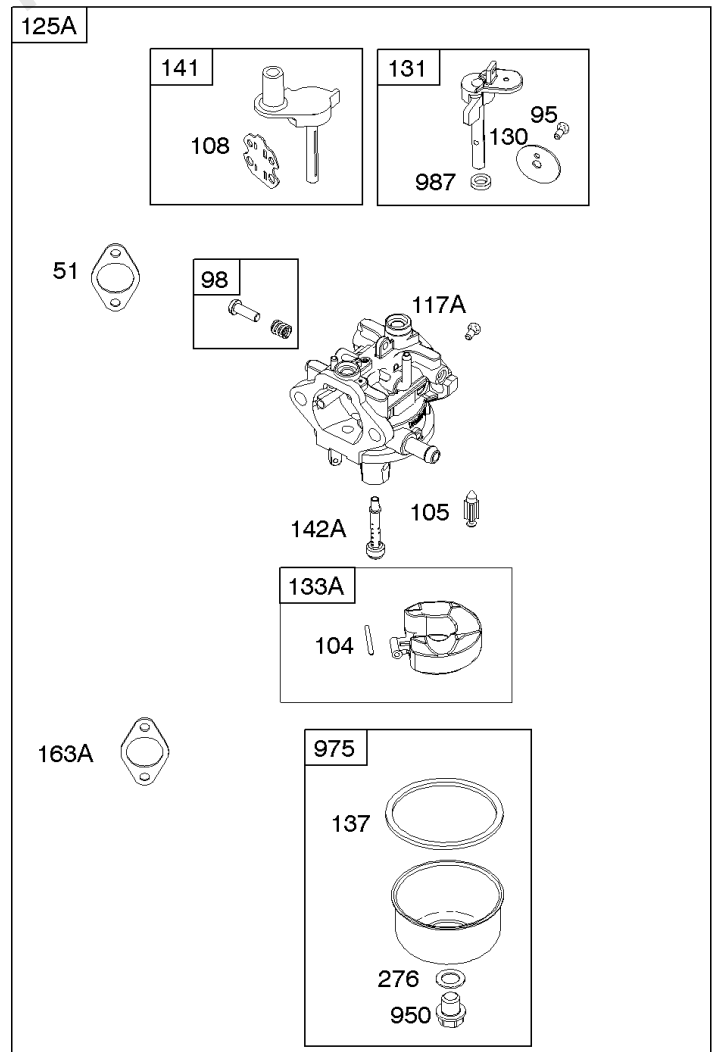


Carburetor, Kit-Carburetor Overhaul

REF NO	PART NO	QTY	DESCRIPTION
50	801232		MANIFOLD, Intake
51	801224		GASKET, Intake
54	801230		SCREW -(Intake Manifold)
95	801415		SCREW -(Throttle Valve) -Used After Code Date 06060600
97	801306		SHAFT, Throttle -Used Before Code Date 06060700
98	801419		KIT, Idle Speed -Used After Code Date 06060600
104	691242		PIN, Float Hinge -Used After Code Date 06060600
105	801423		VALVE, Float Needle -Used After Code Date 06060600
106	801317		SEAT, Inlet -Used Before Code Date 06060700
108	801413		VALVE, Choke -Used After Code Date 06060600
109	801307		SHAFT, Choke -Used Before Code Date 06060700
117	801310		JET, Main -(Standard) -Used Before Code Date 06060700
117A	801425		JET, Main -(Standard) -Used After Code Date 06060600
118	801426		JET, Main -(High Altitude) -Used After Code Date 06060600
121	801427		KIT, Carburetor Overhaul -Used After Code Date 06060600
125	801233		CARBURETOR -Used Before Code Date 06060700
125A	801396		CARBURETOR -Used After Code Date 06060600
130	801414		VALVE, Throttle -Used After Code Date 06060600
131	801417		KIT, Throttle Shaft -Used After Code Date 06060600
133	801316		FLOAT, Carburetor -Used Before Code Date 06060700
133A	801422		FLOAT, Carburetor -Used After Code Date 06060600
137	693981		GASKET, Float Bowl -Used After Code Date 06060600
141	801418		KIT, Choke Shaft -Used After Code Date 06060600
142	801313		NOZZLE, Carburetor -(Standard) -Used Before Code Date 06060700
142A	801424		NOZZLE, Carburetor -(Standard) -Used After Code Date 06060600
147	801308		JET, Pilot -Used Before Code Date 06060700
163	801227		GASKET, Air Cleaner -(Air Cleaner)
163A	801397		GASKET, Air Cleaner -Used After Code Date 06060600



118



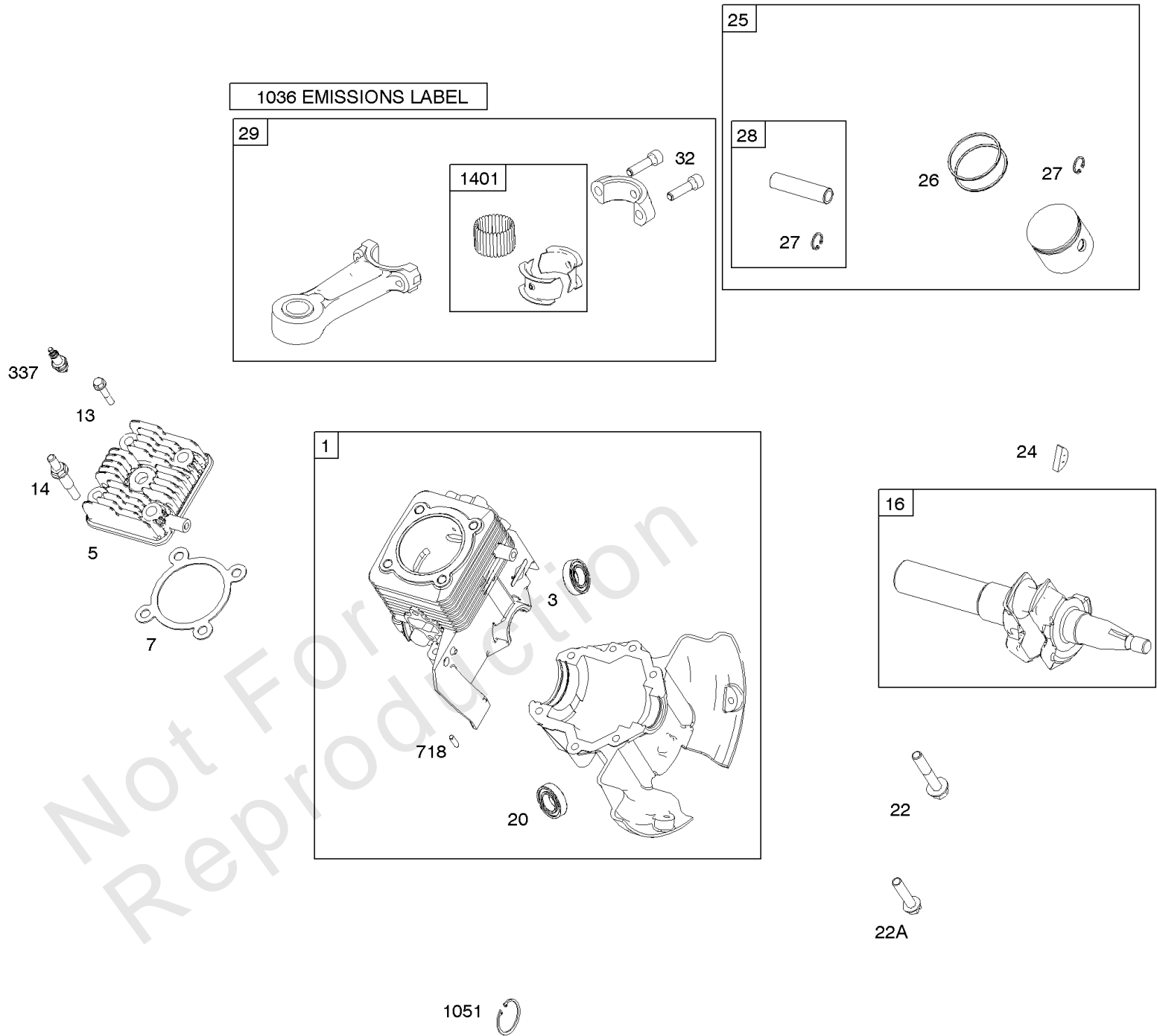
Carburetor, Kit-Carburetor Overhaul

REF NO	PART NO	QTY	DESCRIPTION
276	692255		WASHER, Sealing -Used After Code Date 06060600
654	801324		NUT -(Carburetor) -Used Before Code Date 05042600
711	801229		SCREW -(Carburetor Shield)
950	801421		SCREW -(Float Bowl) -Used After Code Date 06060600
975	801420		BOWL, Float
977	801312		SET, Carburetor Gasket -Used Before Code Date 06060700
987	801416		SEAL, Choke/Throttle Shaft -Used After Code Date 06060600
996	801226		SHIELD, Carburetor
1127	801318		SCREW -(Float Bowl) -Used Before Code Date 06060700

Not For Reproduction

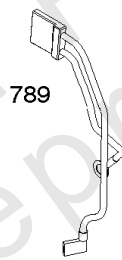
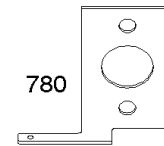
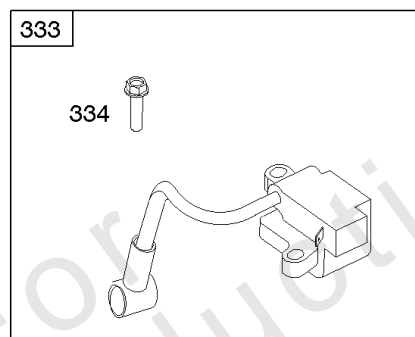
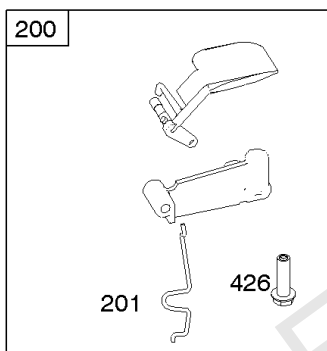
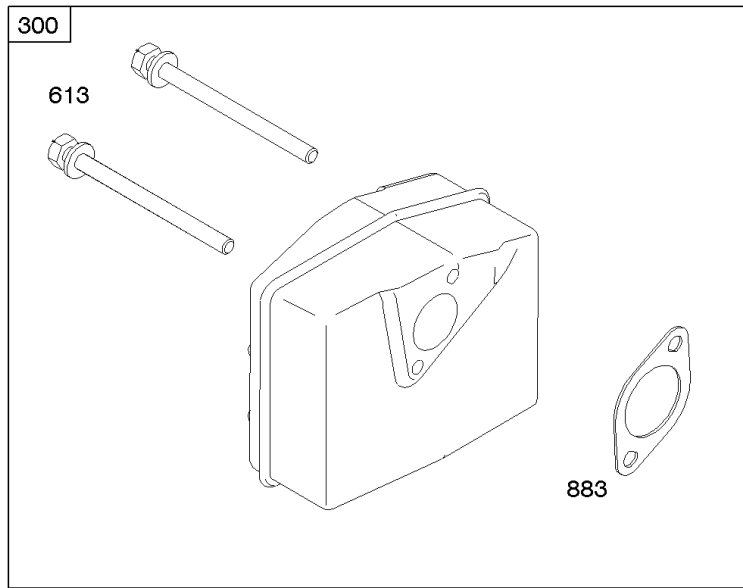
Crankcase Cover/Sump, Crankshaft, Cylinder Head, Piston, Rings, Connecting Rod

Mfg. No: 084132-0120-E8



Crankcase Cover/Sump, Crankshaft, Cylinder Head, Piston, Rings, Connecting Rod

REF NO	PART NO	QTY	DESCRIPTION
1	801260		CYLINDER ASSEMBLY -(Non Boost, Rewind Start)
3	801262		SEAL, Oil -(Magneto Side)
5	801283		HEAD, Cylinder
7	801263		GASKET, Cylinder Head
13	801264		SCREW -(Cylinder Head)
14	801265		STUD -(Cylinder Head)
16	801220		CRANKSHAFT
20	801261		SEAL, Oil -(PTO Side)
22	801266		SCREW -(Crankcase Cover/Sump)
22A	801271		SCREW -(Crankcase Cover/Sump)
24	801234		KEY, Flywheel
25	801279		PISTON ASSEMBLY
26	801280		SET, Ring
27	801275		LOCK, Piston Pin
28	801276		PIN, Piston
29	801277		ROD, Connecting
32	801278		SCREW -(Connecting Rod)
337	801254		PLUG, Spark
718	690959		PIN, Locating
1036	-----		Label-Emissions -(Available from an Authorized Briggs & Stratton Service Dealer)
1051	801274		RING, Retaining
1401	801290		STRIP, Roller



Electric Starter, Flywheel, Governor Spring, Ignition

REF NO	PART NO	QTY	DESCRIPTION
200	801289		BLADE, Governor
201	801225		LINK, Air Vane
209	801223		SPRING, Governor
300	801250		MUFFLER
333	801268		ARMATURE, Magneto
334	801267		SCREW -(Magneto Armature)
426	801231		SCREW -(Governor Blade)
613	801251		SCREW -(Muffler)
780	801228		ANCHOR, Spring
789	801253		HARNESS, Wiring
883	801252		GASKET, Exhaust

Not For Reproduction

Replacement Engine - US & Canada

REF NO	PART NO	QTY	DESCRIPTION
	0841320120E8	1	Replacement Engine
	801284	1	Replacement Short Block
	-----		Top No-Load Speed: 3800 -Trim: ALL

Not For Reproduction

